



INSTALLATION AND OPERATION MANUAL

**IT IS IMPORTANT TO RETAIN THESE INSTRUCTIONS FOR FUTURE
REFERENCE**

THIS APPLIANCE MUST BE INSTALLED BY A QUALIFIED INSTALLER.

Bordeaux K03F – UL127 Zero Clearance Fireplace

READ ENTIRE MANUAL THOROUGHLY BEFORE INSTALLATION.

Imported by: Evolution Trade Group, LLC
1000 Rand Road Suite 111
Wauconda, IL 60084
Telephone: 1-866-629-2526



TABLE OF CONTENTS

INTRODUCTION:.....3

TESTING/LISTING.....3

EPA CERTIFICATION.....3

PACKAGING LIST.....3

INSTALLATION4

PRECAUTIONS AND SPECIFICATIONS4

LOCAL BUILDING OFFICIAL RECOMMENDATION5

DESCRIPTION OF THE FIREPLACE SYSTEM6

FLOOR PROTECTION.....9

VENTILATION.....9

FIRST FIRE9

PRIMARY AIR CONTROL.....9

DOOR OPERATION.....9

GLASS.....9

FIREBRICK(Shamotte/Stone).....9

DOOR AND GLASS GASKETS9

HOW TO START AND MAINTAIN A FIRE.....9

REFUELING.....9

FUEL.....9

RECOMMENDED FUEL.....9

ASH REMOVAL AND DISPOSAL.....9

TROUBLESHOOTING9

SERVICE PART LIST9

WARRANTY.....9

STOVE ASSEMBLY9

BORDEAUX STONE ASSEMBLY9



INTRODUCTION:

PLEASE READ THIS ENTIRE MANUAL BEFORE YOU INSTALL AND USE YOUR NEW MAX BLANK STOVE. FOR YOUR SAFETY, FOLLOW THE INSTALLATION, OPERATION AND MAINTENANCE INSTRUCTIONS EXACTLY. FAILURE TO FOLLOW THESE INSTRUCTIONS MAY RESULT IN PROPERTY DAMAGE, BODILY INJURY, OR EVEN DEATH. IF THIS APPLIANCE IS NOT PROPERLY INSTALLED, A HOUSE FIRE MAY RESULT. CONTACT YOUR LOCAL BUILDING OR FIRE OFFICIALS ABOUT RESTRICTIONS, INSTALLATION INSPECTION REQUIREMENTS AND PERMIT REQUIREMENTS IN YOUR AREA.

TESTING/LISTING

This stove has been tested to and complies with UL Standard 127 (05/99) by OMNI-Test Laboratories Inc, Beaverton, Oregon, Report 276-F-09-2.

EPA CERTIFICATION

This heater has been tested to rigorous emissions standard, and has been certified by the Environmental Protection Agency.

PACKAGING LIST

Along with your assembled stove, the appliance package contains –

- 1 – Installation and operation instructions manual
- 1 – Stove
- 1 – Set of Firebricks(Shamotte)
- 1 – Duratech Anchor plate (P/N 9441 SDT-AP)



M A X B L A N K
HIGH QUALITY

INSTALLATION

PRECAUTIONS AND SPECIFICATIONS

The minimum clearances must be maintained for all combustible surfaces and materials including; furniture, carpet, drapes, clothing, wood, papers, etc. Do not store firewood within this clearance space. Failure to maintain clearances to all combustibles may result in a house fire. Pile and store wood outdoors under cover.

WARNING – THIS APPLIANCE REQUIRES NON-COMBUSTIBLE FLOOR PROTECTION. See you local dealer for approved floor protectors.

Minimum ceiling height must be 7 feet (213 cm) (measured from base of appliance to ceiling).

DO NOT CONNECT THIS UNIT TO A CHIMNEY FLUE THAT IS CONNECTED TO ANOTHER APPLIANCE, and do not connect this appliance to air ducts or any air distribution system.

PREVENT CREOSOTE FIRE: Inspect and clean chimney frequently. Under certain conditions of use, creosote buildup may occur rapidly. Inspect chimney connector and chimney twice monthly and clean if necessary. Using green or inadequately seasoned wood can greatly increase creosote buildup. Use dry wood to minimize creosote buildup.

Creosote – Formation and Need for Removal - When wood is burned slowly, it produces tar and other organic vapors, which combine with expelled moisture to form creosote. The creosote vapors condense in the relatively cool chimney flue of a slow burning fire. As a result, creosote residue accumulates on the flue lining. When ignited this creosote makes an extremely hot fire. Also, creosote deposits tend to form in long runs of venting where gases become too cool prior to exhausting. Note: Single wall pipe cools rapidly, therefore installations using this type of flue are more susceptible to creosote deposits. To inhibit the build up of creosote, adjust the primary air control to a medium-high or high setting for a 10-minute period each day. Do not attempt to burn out heavy creosote accumulations in this manner. This must be removed from the chimney by scraping or brushing to reduce the risk of a chimney fire.

USE SOLID WOOD FUEL ONLY: This appliance is approved for burning dry seasoned natural wood only. **CAUTION: BURN UNTREATED WOOD ONLY. DO NOT BURN GARBAGE OR FLAMMABLE FLUIDS SUCH AS GASOLINE, NAPHTHA, OR ENGINE OIL.**

Warning: Never use gasoline, gasoline-type lantern fuel, kerosene, charcoal lighter fluid, or similar liquids to start or ‘freshen up’ a fire in this heater. Keep all such liquids well away from the heater while it is in use

DO NOT OVERFIRE: If heater or chimney connector glows, you are overfiring. Overfiring this appliance could cause a house fire. Overfiring is a condition where the appliance is operated at temperatures above its design capabilities. Overfiring can be caused by improper installation, improper operation, and lack of maintenance or improper fuel usage. Damage caused from overfiring is NOT covered under the manufacturer’s limited warranty.



NEVER LEAVE AN UNATTENDED STOVE BURNING ON HIGH. Operation of the stove with the primary air control at its highest burn rate setting for extended periods can cause dangerous overfiring conditions. The primary air control should only be positioned at the highest setting during start-up procedures and for short durations. When leaving the stove unattended ensure that the primary air control is set to the low or medium low range.

IN THE EVENT OF CHIMNEY FIRE - Make sure the fuel door is securely closed. Adjust the primary air control to the lowest (most closed) setting. Call the fire department immediately. After a chimney fire, the complete chimney system should be checked by a qualified technician before further use. Consult your dealer for suggestions on proper chimney care. Contact your local municipal or provincial fire authority for information on how to handle a chimney fire. Have a clearly understood plan for handling a chimney fire.

IN THE EVENT OF A COMPONENT FAILURE, USE ONLY COMPONENTS PROVIDED BY THE MANUFACTURER AS REPLACEMENT PARTS. SEE YOUR LOCAL APPROVED DEALER FOR PARTS.

Burning any kind of fuel uses oxygen from the dwelling. Be sure that you allow an adequate source of fresh air into the room where the stove is operating

CAUTION: HOT WHILE IN OPERATION. An appliance hot enough to warm your home can severely burn anyone touching it. Keep children, clothing and furniture away. Contact may cause skin burns. Do not let children touch the appliance. Train them to stay a safe distance from the unit.

Do not operate this appliance without all the firebox brick and baffle properly installed.

Build fires directly upon the brick(shamotte) inside the stove. Do not use grates, irons or any other method to elevate the fire.

LOCAL BUILDING OFFICIAL RECOMMENDATION

A correct installation is critical and imperative for reducing fire hazards and perilous conditions that can arise when wood burning appliances are improperly installed. The installer must follow all of the manufacturers' instructions. The installation of a wood-burning appliance must conform to local codes and applicable state and federal requirements. Familiarity with these requirements before installation is essential. Consult your local Building Inspector or Fire Marshall before installation of a Max Blank stove regarding any restrictions and installation inspection requirements in your area. Also, in some areas, special permits are required.

SMOKE DETECTORS

Since there are always several potential sources of fire in any home, we recommend installing smoke detectors. If possible, install the smoke detector in a hallway adjacent to the room (to reduce the possibility of occasional false activation from the heat produced by the stove). If your local code requires a smoke detector be installed within the same room, you must follow the requirements of your local code. Check with your local building department for requirements in your area, such as rooms where installation may not be allowed.

NOTE – This appliance is NOT approved for installation into a Manufactured (Mobile) Home in Canada or United States.

DESCRIPTION OF THE FIREPLACE SYSTEM

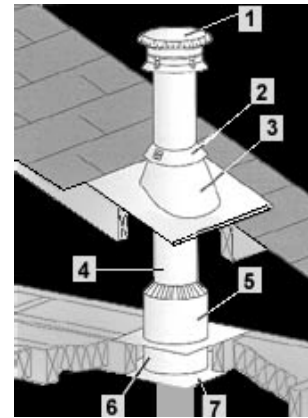
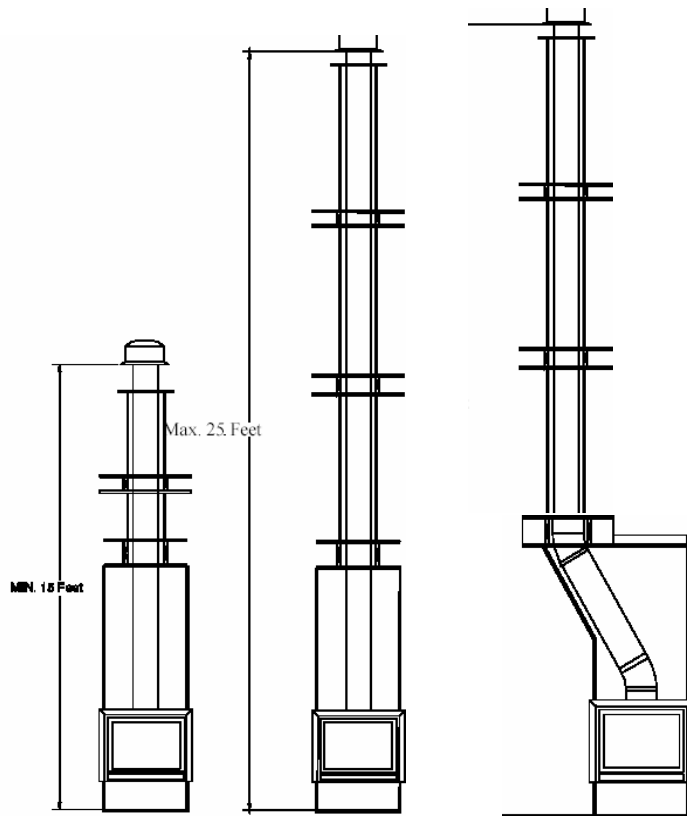
WARNING: IT IS VERY IMPORTANT THAT YOU OBSERVE THE MINIMUM CLEARANCES.

1. Chimney system
2. Fireplace itself

Chimney System

FOLLOW CHIMNEY MANUFACTURER'S INSTALLATION INSTRUCTIONS INCLUDED WITH THE CHIMNEY SYSTEM YOU ARE INSTALLING.

This appliance is designed only to work with the Duratech brand HT-2100° chimney system. The unit includes a Duratech Anchor plate (9441 SDT-AP Anchor Plate). The anchor plate is attached using 4 self tapping screws to the top of the Bordeaux firebox, and sealed with 1000° stove cement.



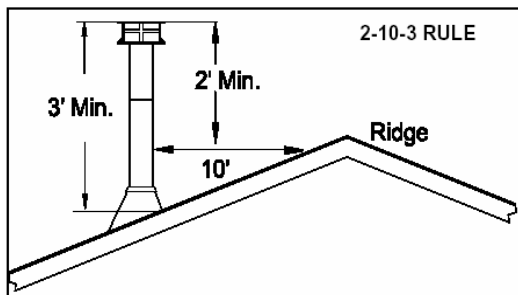
- 1 - Rain Cap
- 2 - Storm Collar
- 3 - Roof Flashing
- 4 - Chimney Lengths
- 5 - Insulation Shield
- 6 - Support Box
- 7 - Ceiling Trim Collar and fire stop.

YOU MUST CONFORM TO ALL RECOMMENDATIONS FROM DURAVENT (DURATECH BRAND) FOR USE AND INSTALLATION OF THEIR CHIMNEY SYSTEMS.

Total height of the fireplace system from the surface the fireplace rests onto the chimney top must not exceed 25 feet and not be less than 15 feet. If offsets are included in the chimney, the following minimum and maximum length must be respected.

A minimum of 12" from the top of the unit is required if an offset is implemented within the cabinet. The maximum offset angle is 30 degrees.

Chimney must extend at least 3 feet above its point of contact with the roof and at least 2 feet higher than any roof or wall within 10 feet.



NOTE: Due to prevailing winds, local terrain, adjacent tall trees, a hill, or ravine near the home, or adjacent structures, additional chimney height or a special chimney cap may be required to ensure optimum performance.

DRAFT REQUIREMENTS

A properly installed venting system is necessary for achieving the required flow of combustion air to the fire chamber and for safely removing unwanted combustion byproducts from the stove. Minimum draft requirement for Max Blank product is 16 Pascal.

WARNING: YOU MUST HAVE AT LEAST TWO INCHES CLEARANCE BETWEEN THE CHIMNEY AND ANY COMBUSTIBLE MATERIALS. DO NOT FILL THIS SPACE WITH INSULATION OR ANY MATERIAL EXCEPT WHERE DIRECTED IN THIS MANUAL.

ELBOWS:

A maximum of (2) 30° elbows may be used (1 set of offsets)

Cut and frame the required holes in the floor, ceiling, and roof where the chimney will be passing through.

NOTE: Refer to Chimney Manufacture's instructions for proper framing size, clearance to combustible and support bracket requirements

FIRE STOPS:

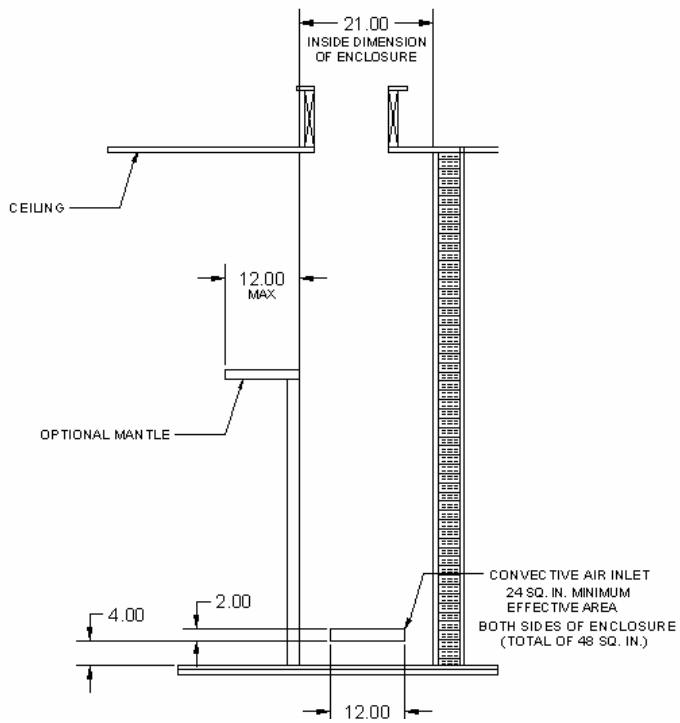
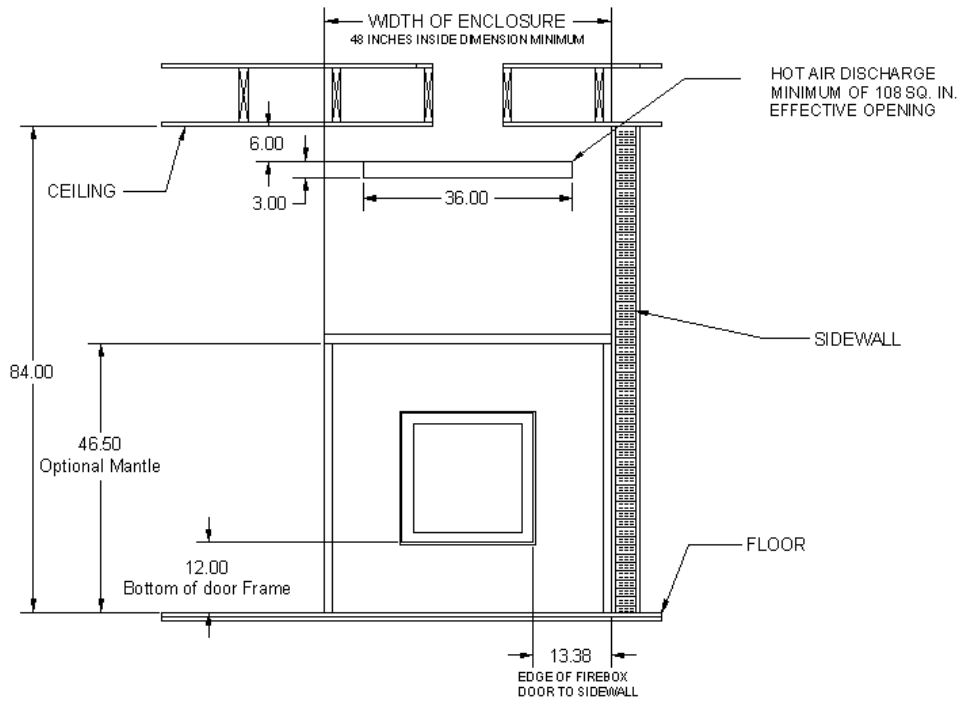
A fire stop must be installed where the chimney passes through each floor level. Refer to the Chimney manufacturer's instructions for proper part number and installation procedure.

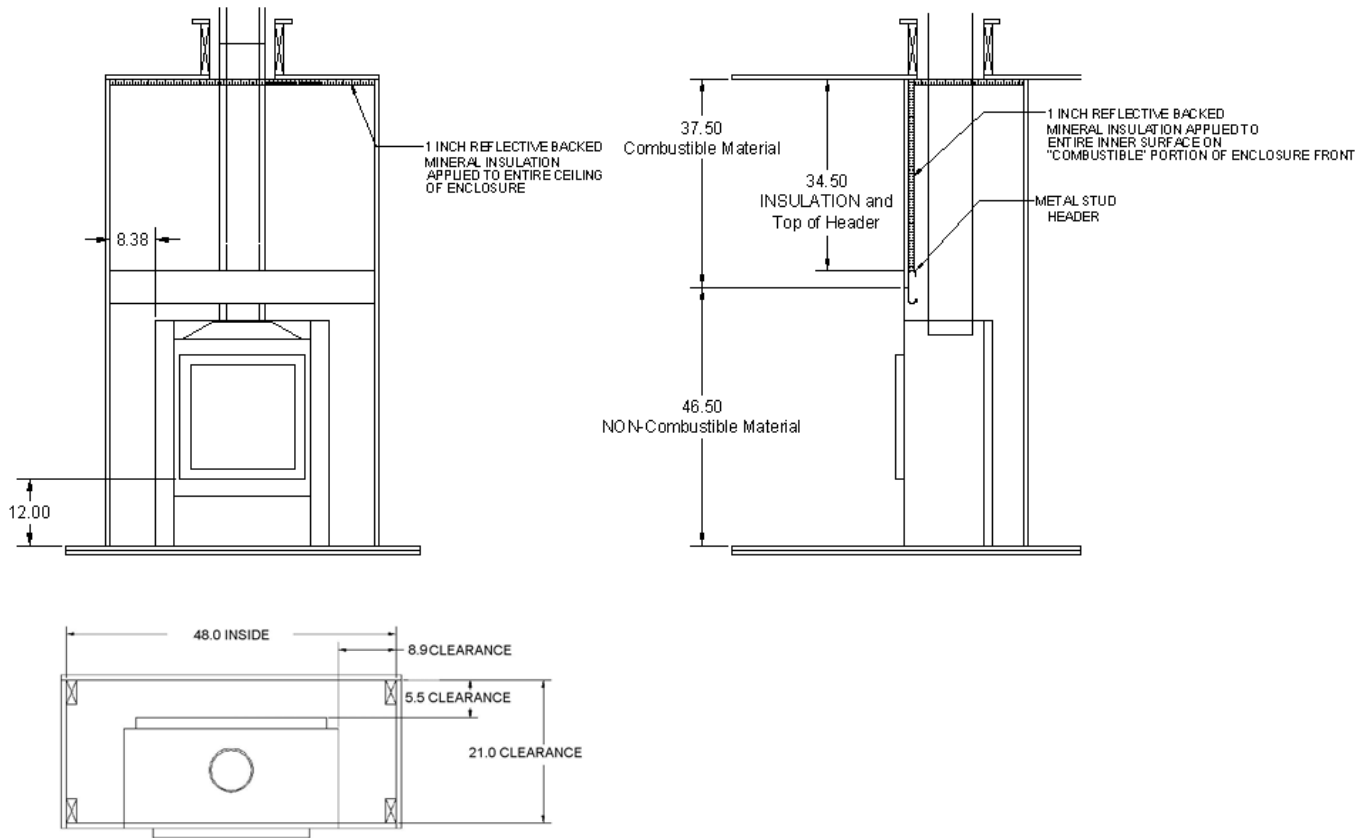
MINIMUM CLEARANCE TO COMBUSTIBLE.

Clearances to combustible are determined by measurements from the edge of the firebox. (Measurements in inches). A **metal header** must be used in installation as shown in the following illustrations. 1" reflective backed mineral insulation applied to entire inner surface on combustible portion of enclosure front, ceiling, and the rear and side walls 48" and higher from the floor.

DESIGN NOTE:

Clearances to combustibles allow approximately a 0.5" drywall overlap with the sides of the 46.5" x 46.5" Bordeaux surround. If a smaller surround is used, non combustible material guidelines must be strictly followed. In addition, combustible material allowed down to the middle of the header. Anything below the tested height of the header must be non-combustible.





FLOOR PROTECTION

This appliance requires a non-combustible floor protection for ember protection. If the floor protection is to be stone, tile, brick, etc., it must be mortared or grouted to form a continuous non-combustible surface. The floor protection must extend completely beneath the stove and to the front, sides, and rear as indicated:

USA REQUIREMENTS

- 16" (40.7 cm) minimum to the front of the fuel door glass
- 8" (20.3 cm) minimum beyond the sides of the fuel door opening
- 0" minimum to the back of the stove body

Max Blank offers a line of floor protectors that meet the above requirements. Please contact your local dealer for more information.

VENTILATION

(Residential homes, which do not require an outside air inlet).

Ventilation is essential when using a solid fuel stove. The combustion process uses oxygen from inside the home and it may be necessary to open a window or install a vent to provide combustion air in a house that is well insulated.

OUTSIDE AIR

In many site built residences (subject to local code), a stove may be required to use outside air for combustion. **Washington State requires outside air adapters on all K02 and K03**

models. Most of Max Blank products have outside air adapters. Please contact your dealer for details.

WARNING: MAKE SURE THAT THE FLOOR OR SUBFLOOR IS DESIGNED TO CARRY THE EXTRA WEIGHT OF THE STOVE.

CARE AND OPERATION

FIRST FIRE

Your Max Blank stove should be broken in gently. You should start with a small fire, and gradually increase the fire intensity. During the first few firings, you may detect an odor from the stove. That is the natural heat-treating process of the paint and materials. Never reduce the air intake to full off position while logs are still burning, this will cause incomplete combustion and soot on the glass. Simply increase the air intake lever and allow the stove to clean the soot off the glass.

PRIMARY AIR CONTROL

This stove is equipped with a control arm for the combustion air, located below the doors lower edge. Sliding the control to the left increases the burn rate, to the right decreases the burn rate. You will generally want to set the control in the low or medium range. Make sure that all combustibles are kept at the specified safe distances.

DOOR OPERATION

The door handle assembly opens and securely latches the fuel door closed. To open the door, pull handle away from door until latch is released. To securely latch, lift handle and swing door closed until flush with stove body. Push handle towards body of stove until securely latched.

GLASS

The Glass is a super heat resistant ceramic that withstands continuous temperatures up to 1390°F. This temperature is well beyond the temperatures in which you operate your stove. If the glass ever becomes damaged in any way, replace it, using only 5mm ceramic glass. This appliance is designed to provide a flow of air over the inside of the glass, which along with high heat helps keep it clean. When operating the stove on low for extended periods of time, the glass may get dirty. A short, hot fire (15 - 20 minutes) will help clean off much of the normal buildup (see troubleshooting). A commercial glass cleaner designed for stoves is recommended for cleaning.

Cleaning glass: Ensure stove is cold prior to cleaning glass. A commercial glass cleaner designed for stoves is recommended. Do not use abrasive cleaners.

PROVIDE ADEQUATE AIR FOR COMBUSTION

In well insulated and weather tight homes, it may be difficult to establish a good draft up your chimney. The poor draft is caused by a shortage of air in the house. To provide the needed air, crack a window on the windward side of the house. (Optional external air adapters are available. Please contact your dealer for more information.)

FIREBRICK(Shamotte/Stone)

The firebrick should be inspected periodically and replaced if damaged (crumbling or excessively cracked). With time, small cracks may appear. That is normal. If any of the fire bricks breaks, it must be replaced. Do not run stove without firebrick installed. Please contact your local Max Blank dealer for replacement firebrick.

DOOR AND GLASS GASKETS

A 15mm spun fiberglass rope gasket provides the seal around the fuel door. Should these gaskets become frayed or damaged they should be replaced with the same size and type as the original gasket. It is recommended that your door gasket is replaced every two years. Contact your dealer for ordering.

Replacing Glass Gasket.

If the gasket doesn't have preapplied adhesive, please purchase high temperature gasket adhesive from your local dealer.

The gasket is located in 2 areas, the glass support frame, and the door frame.

1. Glass support frame. Insert without stretching a precut gasket that fits snugly into the groove all around. Do not leave any gaps between the two end points.
2. Door Frame. Install gasket around the frame offset from the window opening slightly. This will ensure that the gasket is not seen after assembly. As with the glass support frame, do not leave any gaps between the 2 endpoints of the gasket.

WARNING: THE GASKETS MUST BE KEPT IN GOOD CONDITION. DO NOT LEAVE THE STOVE BURNING WITH THE DOOR OPEN. THIS WILL CAUSE EXCESSIVE HEAT BUILD UP IN THE UNIT AND COULD IGNITE SURROUNDING COMBUSTIBLES AS WELL AS DAMAGES THE STOVE BY OVERFIRING IT. OVERFIRING IS A CONDITION WHERE EXCESSIVE TEMPERATURES ARE REACHED, BEYOND THE DESIGN CAPABILITIES OF THE STOVE (SUCH DAMAGE IS NOT COVERED BY THE MANUFACTURERS WARRANTY). SERVICING GLASS CAUTION: BE CAREFUL NOT TO ABUSE DOOR ASSEMBLY BY STRIKING OR SLAMMING IT. IF THE DOOR ASSEMBLY OR GLASS IS BROKEN OR DAMAGED, IT MUST BE REPLACED BEFORE STOVE CAN BE SAFELY OPERATED. USE ONLY COMPONENTS PROVIDED BY THE MANUFACTURER AS REPLACEMENT PARTS.

HOW TO START AND MAINTAIN A FIRE

1. OPEN the Primary Air Control by sliding it to the left. This allows the firebox and fresh fuel to quickly come up to ideal operating temperature.
2. Build your fire directly on the hearth inside the stove: do not burn fire above or in front of the log retainer.
 - a. Add a small amount of crumpled newspaper onto the hearth inside the stove.
 - b. Add a small amount of dry kindling randomly on the top of the newspaper.
 - c. Place a few more loosely crumpled newspapers on top of the kindling and light the bottom paper first, then light the top paper. Once the fire is well underway, close the fuel door. The upper fire should preheat the chimney and create an effective draft while the lower fire ignites the kindling.
3. After the kindling is burning well, add increasingly larger pieces of wood until the fire is actively burning.
4. When the fire is well established slide the air control lever for the desired heat output.

REFUELING

To refuel the stove, first slide the air control to high. Let the fire "liven up" for about one minute. Open the fuel door about 1/2" (1 cm) and hold in this position for 30 seconds or until stove is drafting well. Open door and add wood. If the fire or coal bed is almost depleted and a full load of cord wood is added, it may be necessary to leave the air control on the high setting for a while to re-establish a lively fire. Once the wood is burning at a brisk rate, slide the air control for the desired heat output.

FUEL

Only burn wood that has been seasoned for at least one full year (2years is best). If wood has not been

seasoned or dried much of the energy of the wood will go into evaporating the water. Also, condensation or creosote might occur in the stove and pipe if you burn moist wood.

RECOMMENDED FUEL

This appliance is approved for use with untreated natural dry wood, and manufactured wood logs (see approved list). Do not burn particleboard scraps or pressed logs using bonding agents because they can produce conditions that will deteriorate metal. Green or uncured wood does not work well as fuel, and can cause increased creosote buildups (see creosote warning). The value of green wood as a source of heat is limited. Do not overload or use kindling wood or mill ends as primary fuel as this may cause overfiring. Overfiring is a condition where excessive temperatures are reached, beyond the design capabilities of the stove. The damage that occurs from overfiring is not covered under the stove warranty.

WARNING: BURNING IMPROPER FUEL (I.E. CHARCOAL, GASOLINE) CAN RESULT IN CARBON MONOXIDE POISONING WHICH MAY LEAD TO DEATH! CARBON MONOXIDE POISONING – EARLY SIGNS OF CARBON MONOXIDE POISONING RESEMBLE THE FLU WITH HEADACHES, DIZZINESS, OR NAUSEA. IF YOU HAVE THESE SIGNS, GET FRESH AIR AT ONCE! HAVE THE HEATER INSPECTED BY A QUALIFIED SERVICE TECHNICIAN. SOME PEOPLE ARE MORE AFFECTED BY CARBON MONOXIDE THAN OTHERS. THESE INCLUDE PREGNANT WOMEN, PEOPLE WITH HEART OR LUNG DISEASE OR ANEMIA, THOSE UNDER THE INFLUENCE OF ALCOHOL, AND THOSE AT HIGH ALTITUDES.

ASH REMOVAL AND DISPOSAL CAUTION: WHEN REMOVING EXCESS ASH, MAKE SURE THAT THE FIRE IS OUT AND THE STOVE IS COLD BEFORE REMOVING ASHES!

Ashes can hold live embers for several days, and must be disposed of with care. Sweep ashes into a noncombustible tray and dispose of properly. NEVER place ashes in a cardboard box or any other combustible receptacle.

PROPER DISPOSAL OF ASH

Ashes should be placed in a metal container with a tight fitting lid. The closed container of ashes should be placed on a noncombustible floor or on the ground, well away from all combustible materials, pending final disposal. If the ashes are disposed of by burial in soil or other wise locally dispersed, they should be retained in the closed container until all cinders have thoroughly cooled.

TROUBLESHOOTING

Smoke coming out of stove.

1. Insufficient chimney draft. Less than 16 Pascals.
2. Obstruction in chimney.
3. Wrong chimney size.
4. Chimney height not to specification.
5. Confirm seasoned wood.

Wood burns too fast.

1. Door gasket worn allowing too much air into stove.
2. Is the air control valve set too high?
3. Are all the stones in the stove?

Wood burns too slow.

1. Not enough air is entering stove. Check stove starting instructions.
2. Check that you are not running exhaust fans in bathrooms and kitchen.
3. There is a chimney pipe leak.

SERVICE PART LIST

The stove series is found either on the front page of this manual, or at the metal serial number plate on the back of the stove.

308214 – Glass window with seal (K03)

308014 – Door seal (K03)

303144US - Shamotte (stone) K03

For all other service parts, please contact your local Max Blank dealer.

WARRANTY

All Max Blank wood stoves, inserts and fireplaces are subject to strict quality standards before they are shipped to the dealer. However, should an error occur, we will back all Max Blank wood burning, inserts and fireplaces with a 12 month limited warranty. The warranty covers all parts that may require replacement from a failure that was caused in the judgment of Max Blank, to be a defect in material or workmanship.

This warranty is given to the first retail purchaser only (other than for the purposes of resale) and is not transferable. This warranty does not cover damage resulting from other than defects in material or workmanship or damage caused by unreasonable use including the failure to provide reasonable and necessary maintenance. In addition, this warranty does not cover repairs performed due to neglect, abuse or use of the stove, insert or fireplace other than in the application for which it is designed.

Warranty does not cover:

- Wearing parts such as firebricks, baffle plates, and gaskets
- Glass
- Transport costs
- Labor costs

The warranty is invalid if the serial number for your Max Blank stove, insert or fireplace is removed or defaced or if service for defects is covered under this warranty is performed by other than an authorized Max Blank dealer or factory recommended service person.

This warranty is void if installation is not conforming to installation instructions or local fire and building regulations.

This warranty applies only to Max Blank stoves, inserts and fireplaces sold and used within the United States and Canada.

This limited warranty is in lieu of all other express warranties, any implied warranty of fairness for a particular purpose, merchantability, or otherwise, applicable to this product, shall be limited in duration to the duration of this limited warranty. Max Blank GmbH nor Evolution Trade Group, LLC, shall not be liable for any special, incidental, or consequential damages, whether based on lost goods or otherwise.

Limited warranty is valid only if warranty card is returned and includes required serial numbers, and signed by both the consumer and approved Max Blank dealer/installer.



M A X B L A N K

Max Blank Limited Warranty Card

Please fill out and mail this card within 10 days of purchase.

Thank you for purchasing a Max Blank High Quality Product. In order to protect your new investment, please take a few moments to fill out the warranty registration below and return to us.

Name _____

Street Address _____

City _____ **State** _____ **Zip Code** _____

Phone _____ **Fax** _____ **e-mail** _____

Item Purchased _____ **Date Purchased** _____

Store Where Purchased _____

Model Name _____

Serial number(located on back of stove) _____

*A copy of the sales receipt must be included with the warranty card.

Please return to:

Evolution Trade Group, LLC
1000 Rand Road Suite 111
Wauconda, IL 60084


STOVE ASSEMBLY

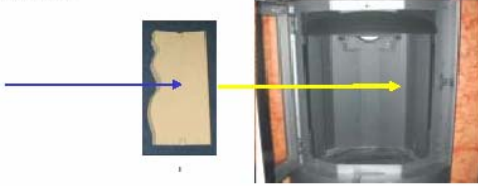
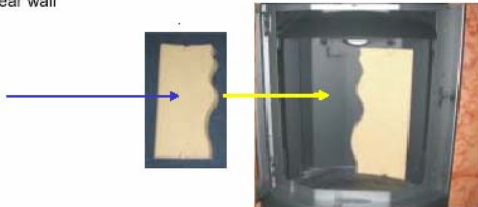
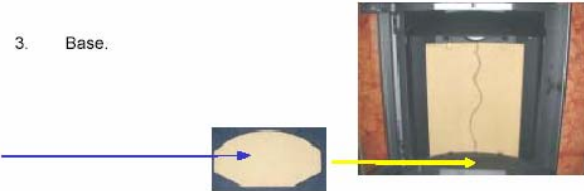
(It is recommended that Stove Assembly and Disassembly be completed by a trained service person. Contact your local dealer for more information and instructions on assembly and disassembly. Some components are very heavy, and if improperly handled may cause injury or death.)

BORDEAUX STONE ASSEMBLY

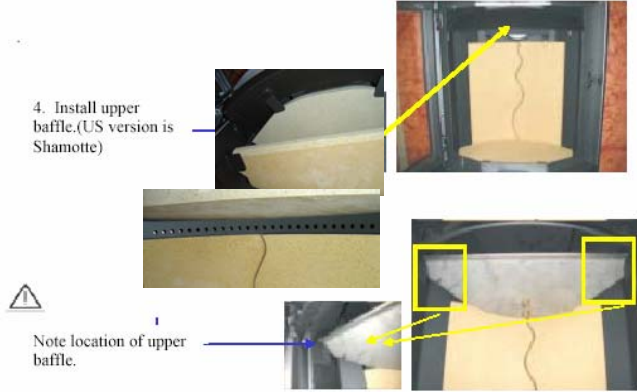
K03 Stone(Shamotte)



Attachment 1: Schamotte **K03** Assembly PAGE 1 OF 3

 **Reference:**
Carefully handle the Schamotte (fire brick).
Edges and corners can easily fracture.

1. Right rear wall.

2. Left rear wall.

3. Base.


Attachment 1: Schamotte **K03** Assembly PAGE 2 OF 3

4. Install upper baffle. (US version is Schamotte)


 Note location of upper baffle.
5. Place metal spacer into guides..

6. Attach front grill.
